

We Can Do It!



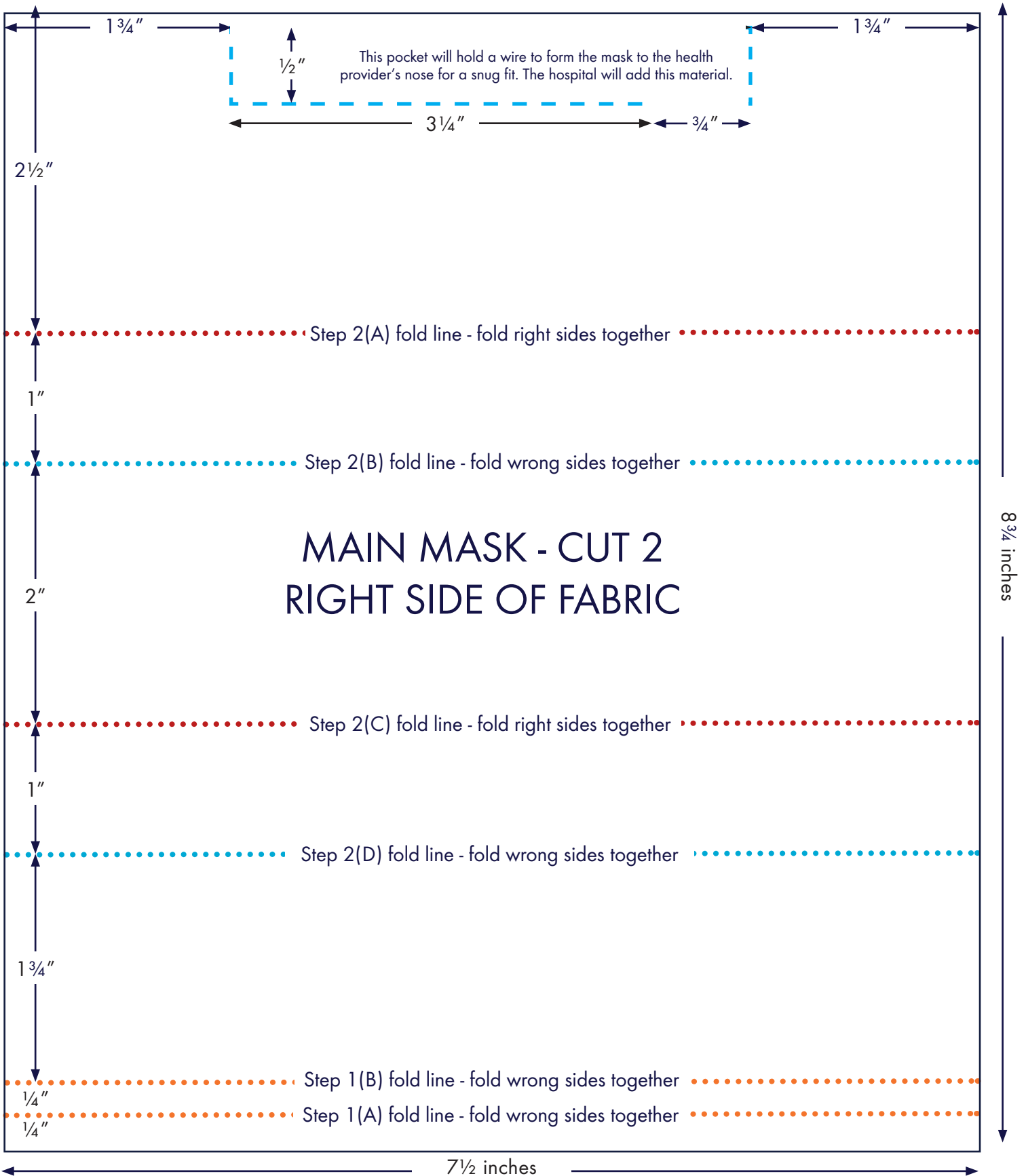
J. Howard Miller

POST FEB. 15 TO FEB. 23



WAR PRODUCTION CO-ORDINATING COMMITTEE

MAKESANTAFE.ORG WITH HAT TIP TO OPERATIONWECANSEWIT.COM



BEFORE CUTTING check that your print out is at 100% scale on 8 1/2" by 11 paper. The box to the right should measure exactly 1 inch square.

This square should be 1" on each side.

GENERAL INSTRUCTIONS BEFORE YOU BEGIN:

- This pattern is based on one developed through operationwecansewit.com and St. Joseph Hospital in Denver to meet medical requirements and staff needs. It has modifications to reflect materials and requirements developed for our needs and standards in Northern New Mexico.
- You are welcome to use this pattern for other communities, organizations, hospitals, etc but you need to contact them and get approval. Please follow the pattern and instructions as precisely as you are able.
- The masks are one size fits all.
- Fabric should be light colored when possible (easy to see when it's soiled), cotton or cotton blend with a high thread count. Pillowcases, sheets or high-quality quilting fabric are good examples. It needs to also be breathable. We are using 400 and 300 thread count fabric. 400 is for the "public" outward facing side of mask, 300 for the "private" side of mask touching the face. We include a channel for a formable nose piece and a pocket for an additional filter.
- All seams are sewn with a 1/4 inch, unless specified.
- Fabric must be prewashed and dried.

CUTTING INSTRUCTIONS:

If you were NOT supplied pre-cut pieces:

- Cut two mask rectangles using the template (7 1/2" x 8 3/4").
 - One piece out of 300 thread count material and one out of 400 thread count material.
 - The 400 count piece will be the public facing piece and the 300 count piece will be on the inside touching the face.
- Cut 4 pieces of twill tape at 17" each.

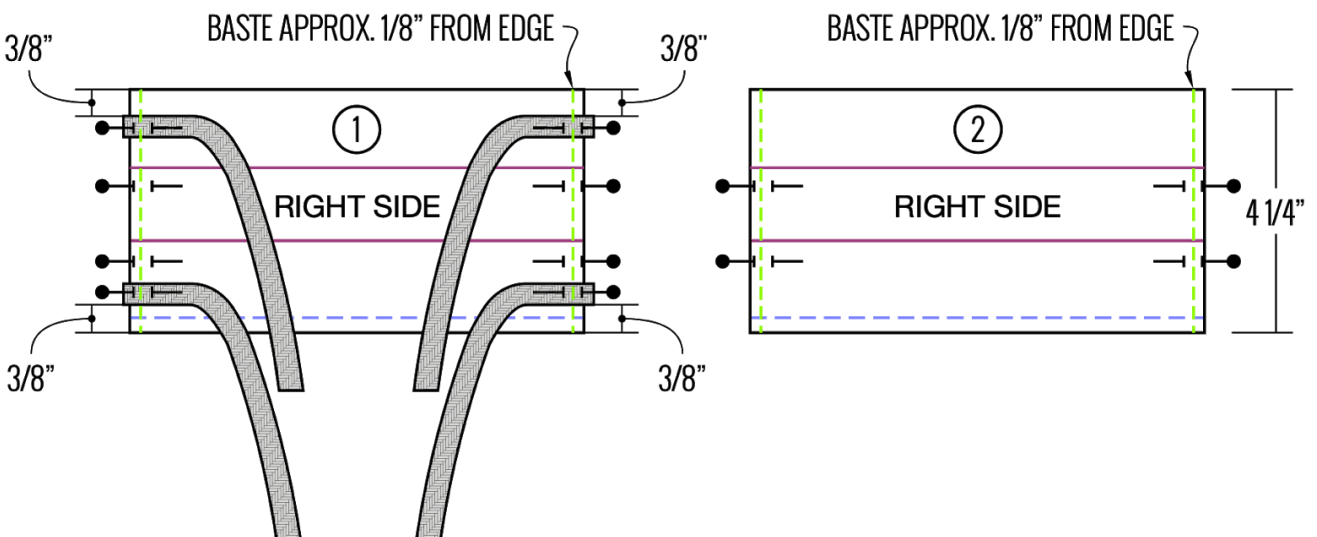
SEWING INSTRUCTIONS:

1. On mask pieces 1 and 2 fold toward the wrong side of the fabric on the orange dotted lines shown on pattern. You will fold the edge up $\frac{1}{4}$ " , iron in place, then fold the edge up again $\frac{1}{4}$ " , iron in place. Next, stitch the seam as shown below using scant $\frac{1}{4}$ " or $\frac{1}{8}$ " seam. This is now a hemmed edge and the bottom of the mask. The pink line shows where the fabric's raw edge is folded up to create a clean hem. The purple lines show stitching for this hem. 1 is the 400 count fabric, 2 is the 300 count fabric.

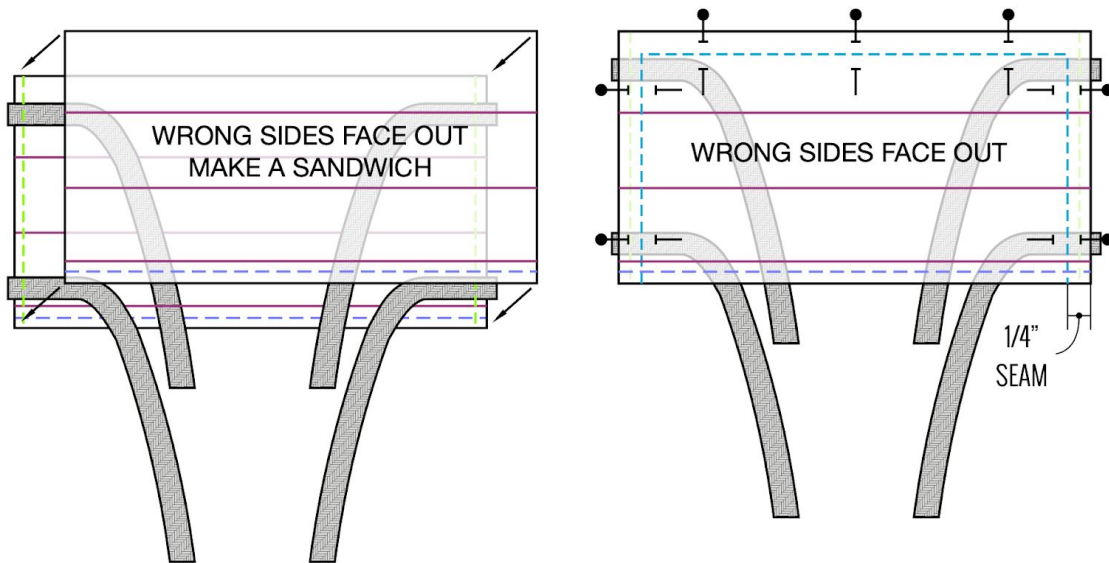
NOTE: Diagrams are not to scale



2. On mask pieces 1 and 2, mark your pleat fold lines with a pencil or water soluble marker (These are the red and blue dotted lines noted on the pattern). Now fold and iron each pleat with red dotted lines from pattern folding the right sides of fabric together and blue dotted lines from pattern folding the wrong side of fabric together (pleat folds are pink lines in diagram). If this is confusing at first fold the paper pattern to understand the pleat sequence. Pin pleats and ties (facing in--see diagram) Baste approximately $\frac{1}{8}$ " in from the edge of the fabric (green dotted lines in diagram) . Make sure the ties are approximately $\frac{3}{8}$ " from the top/bottom edge. Mask pieces will now measure $4\frac{1}{2}$ " high.

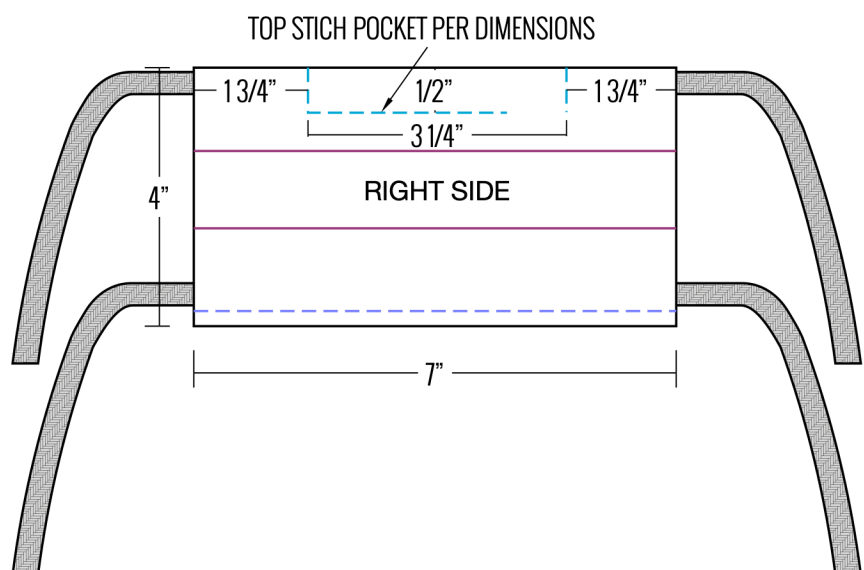


3. Make a sandwich with piece 1 and 2 right sides together with the straps on the inside of this sandwich. Arrange straps so they poke out the bottom finished edge of the mask. Sew around the mask (both sides and top--see dotted blue lines in diagram below). Seam allowance is $\frac{1}{4}$ ". Make sure to backstitch at beginning and end of your sewing. Take care to ensure edges of the ties do not get caught in your sewing!



4. Turn the mask right side out and press flat with an iron. Use pipe cleaner, flat aluminum, or wire cut to length for formable nose. Turn ends of pipe cleaner or wire back on themselves creating little U shapes on both ends to prevent sharp wire from poking the person who will wear the mask. Mark the nose wire channel with a pencil or water soluble marker on mask in the location shown on the pattern diagram. The wire channel will be a $3\frac{1}{4}$ " by $\frac{1}{2}$ " box with a $\frac{3}{4}$ " opening at one side on the bottom. Topstitch along drawn lines to make the channel.

NOTE: Be sure to leave the $\frac{3}{4}$ inch opening on the bottom of this channel so the nose wire can be added, removed or replaced. Final mask measurements : 4" high by 7" wide. Ties are each a little less than 17" long.



NOTE: PLEATS POINTING UP OR DOWN DOES NOT REALLY MATTER AS THE MASK GETS OPENED UP. IN THIS PHOTO PLEATS ARE POINTING DOWN.

CORRECT DIMENSIONS OF THE MASK, HEMMED POCKET OPENING AT THE BOTTOM, AND NOSE WIRE POCKET AT TOP ARE IMPORTANT.



5. WASH FINISHED MASKS, Diligently fill out the MASK INFORMATION FORM, and follow safety protocol to put form and masks into sealed bag (ziploc style) or bag you can tape or fold to seal.

6. Deliver your completed masks one of two ways:

1. Beginning April 8, you may drop off or ship by mail to:

MAKE Santa Fe
2879 All Trades Road
Santa Fe, NM 87507

If there is no one to receive and no bin in front, gently toss bag of finished masks over the wooden gate. **They will be retrieved pronto!**

**Give yourself a pat on the back for being awesome.
Rosie would definitely approve!**

ATTENTION:

- ❑ These masks require washing before use
- ❑ These masks have been washed and are ready for use. Not sterile.

Mask Details

Size: One size fits all

Features: Pleated mask with ties, channel for formable, removeable nose piece and pocket for replaceable filter piece.

Design Source: MAKE Santa Fe | makesantafe.org | build@makesantafe.org

Materials:

Date Made:

Maker:

Contact maker at:

Use Instructions

With ties: Please see instructions on safe mask use procedures.

<https://www.sfcddcp.org/communicable-disease/healthy-habits/how-to-put-on-and-remove-a-face-mask/>

Between cleaning and reuse: Store in a closed container or bag.

Filter and nose-piece information

Provided when possible: Non-Woven Polypropylene (NWPP) machine washable

Formable nose material currently in use include:

- 12" Pipe Cleaner
- Vinyl Coated paper clips (require more care but stand up better to re-use)
- Flat aluminum
- Non-ferrous wire

Washing instruction

At a minimum: Wash in hot detergent on a full cycle in a clean washer. Dry on high until completely dry. Masks may also be boiled. After cleaning, store in a safe, clean container.

Disclaimer: Use at your own risk. Following these instructions is no guarantee against infection or prevention of any disease. These masks do not replace N95 masks and do not guarantee protection from any disease. There is significant information to show that cloth barriers, when made and worn correctly, may reduce aerosol transmission. This effort is about harm reduction.